

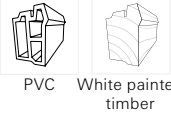
## Designo R4 RotoTronic – Product Card

Pivot roof window with thermal insulation (WD block)



### Benefits in a nutshell:

- + the rotation axis positioned in the half of the window allows optimal airing and lighting of the attic
- + thermal insulation (WD block) gives even 15% better energy balance of the roof window, optimal temperature in the house, lower heating and air-conditioning costs and airtight combination of the window with vapour barriers of the roof
- + post-installation setting of the window means certainty that the roof window is airtight, perfectly adjusted and always appropriately set
- + 3 protective layers of the timber securing from the destructive influence of the sun and humidity
- + third security grade (timber) and the highest fifth security grade (PVC) protecting from hits from outside are proof of unique durability and safety of you and your family
- + 15-year warranty means the reliable use of the roof window and your own peace of mind for years
- + manually and electrically operated interior and exterior accessories mean the perfect protection from the sun, optimal temperature during the summer and winter time as well interesting and original elements of the interior decoration
- + combination with R4/R7 roof windows equals more possibilities for using natural light and the effective exchange of air in the attic
- + the roof window equipped with the electric drive means comfortable controlling in hard-to-reach areas and perfect solution for houses with "the intelligent house system"
- + no visible screws in the roof window covering ensure outstanding airtightness of the roof window and at the same time the aesthetic external appearance
- + modern shape of the roof window covering guarantees harmonious integration of the window with the roof
- + attractive colour of the roof window covering (anthracite-metallic) is the perfect composition with every kind of the roofing, ensuring architects more flexibility and ease of designing

Model of the window	+ Designo R4 RotoTronic
Type of the window	+ pivot roof window
Material	 <p>PVC White painted timber</p>
Opening	<ul style="list-style-type: none"> <li>+ electric</li> <li>+ controlled using a wall-mounted switch control (RotoTronic E) or remote control (RotoTronic EF)</li> </ul>
Energy efficiency	<ul style="list-style-type: none"> <li>+ <math>U_w = 1,3-1,1</math></li> <li>+ thermal insulation (WD block) with better energy balance of the roof window</li> </ul>
Easy installation	<ul style="list-style-type: none"> <li>+ pre-installed assembly brackets and the roof window covering</li> <li>+ pre-installed thermal insulation (WD block) with the vapour barrier film</li> </ul>
Product quality	<ul style="list-style-type: none"> <li>+ post-installation setting of the window</li> <li>+ 3 locking points</li> <li>+ 3 protective layers of the timber</li> <li>+ third security grade (timber) and the highest fifth security grade (PVC)</li> <li>+ a 15-year warranty period</li> </ul>
Functionality	<ul style="list-style-type: none"> <li>+ available interior and exterior accessories</li> <li>+ possible combination with R4/R7 roof windows</li> <li>+ safe cleaning in the cleaning position</li> </ul>
Design	<ul style="list-style-type: none"> <li>+ no visible screws in the roof window covering</li> <li>+ modern shape of the roof window covering</li> <li>+ attractive colour of the roof window covering – anthracite-metallic</li> </ul>

## Technical specifications

	U <sub>g</sub> value W/(m <sup>2</sup> K) EN 673	U <sub>w</sub> value W/(m <sup>2</sup> K) EN 12567-2	g value in % EN 410	sound insulation class VDI 2719	sound insulation value R <sub>w</sub> [dB] EN 20140-3	air permeability class EN 12207
--	--	--	---------------------------	---------------------------------------	---	---------------------------------------

### Double Standard (5)

R45 W2E_	1.0	1.3	52	2	33 (-2; -6) dB	4
R45 K2E_	1.0	1.3	52	2	32 (-1; -3) dB	4

W = White painted timber

K = PVC

E\_ = electric (wall switch control)

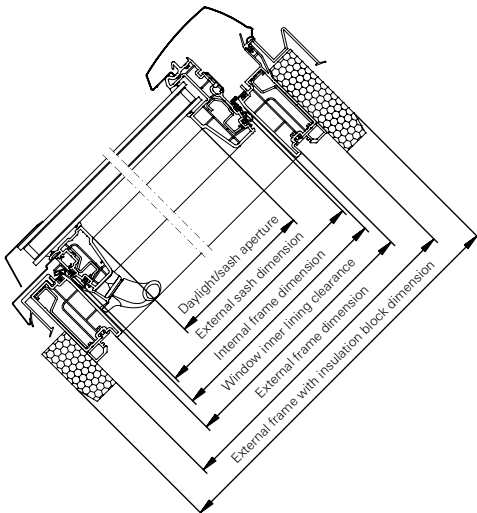
EF = remote control

## Window dimensions

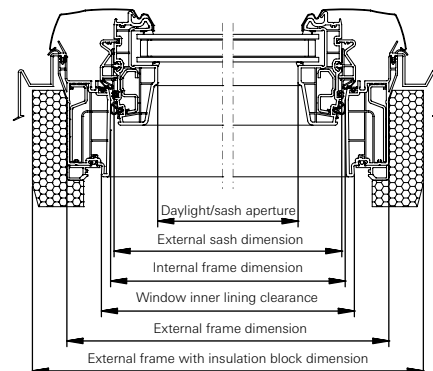
Window size	054/078	054/098	054/118	065/098	065/118	065/140	074/098	074/118
External frame dimension (mm)	540/780	540/980	540/118	650/980	650/1180	650/1400	740/980	740/1180
External frame with insulation block dimension (mm)	600/840	600/1040	600/1240	710/1040	710/1240	710/1460	800/1040	800/1240
Internal frame dimension (mm)	464/704	464/904	464/1104	574/904	574/1104	574/1324	664/904	664/1104
External sash dimension (mm)	456/695	456/895	456/1095	566/895	566/1095	566/1315	656/895	656/1095
Daylight/sash aperture (mm)	382/620	382/820	382/1020	492/820	492/1020	492/1240	582/820	582/1020
Window inner lining clearance (mm)	480/720	480/920	480/1120	590/920	590/1120	590/1340	680/920	680/1120
Pane surface (daylight area) (m <sup>2</sup> )	0,24	0,31	0,39	0,40	0,50	0,61	0,48	0,59

Window size	074/140	094/098	094/118	094/140	114/098	114/118	114/140
External frame dimension (mm)	740/1400	940/980	940/1180	940/1400	1140/980	1140/1180	1140/1400
External frame with insulation block dimension (mm)	800/1460	1000/1040	1000/1240	1000/1460	1200/1040	1200/1240	1200/1460
Internal frame dimension (mm)	664/1324	864/904	864/1104	864/1324	1064/904	1064/1104	1064/1324
External sash dimension (mm)	656/1315	856/895	856/1095	856/1315	1056/895	1056/1095	1056/1315
Daylight/sash aperture (mm)	582/1240	782/820	782/1020	782/1240	982/820	982/1020	982/1240
Window inner lining clearance (mm)	680/1340	880/920	880/1120	880/1340	1080/920	1080/1120	1080/1340
Pane surface (daylight area) (m <sup>2</sup> )	0,72	0,64	0,80	0,97	0,81	1,00	1,22

## Cross Section A-A



## Cross Section B-B



Cross Sections in PVC