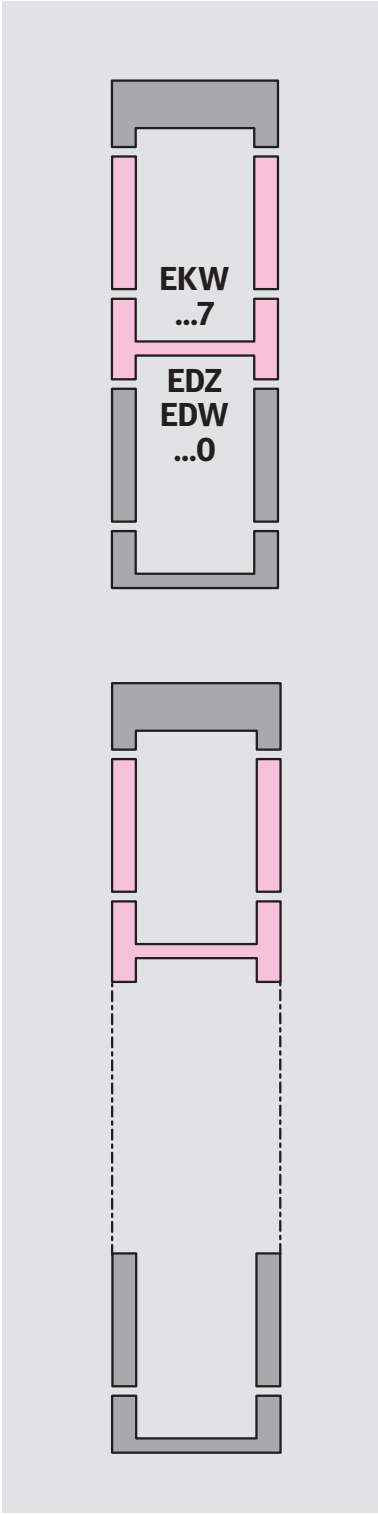
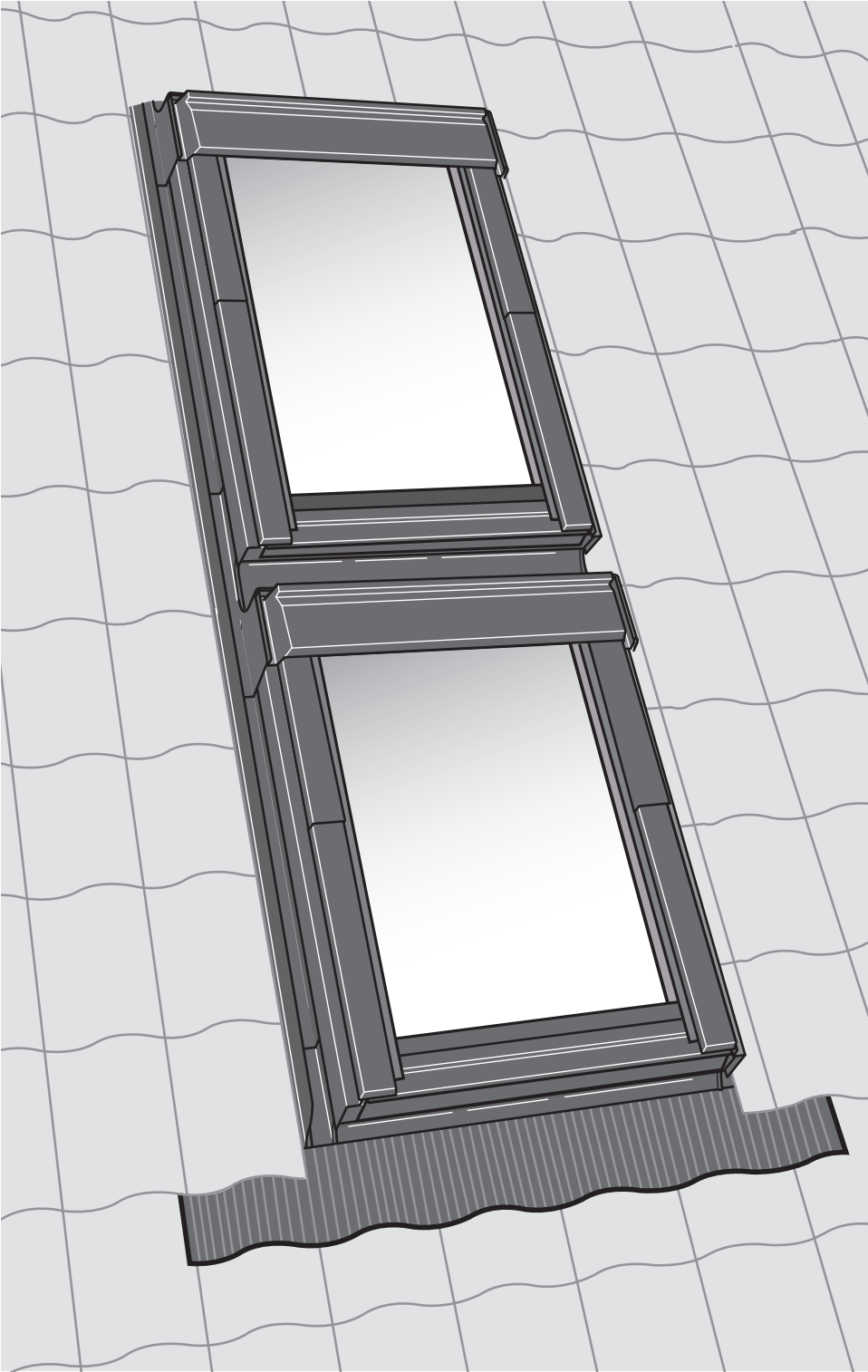


EDZ/EDW+EKW



INSTALLATION INSTRUCTIONS FOR EDZ/EDW+EKW. ©2009 VELUX GROUP. VELUX, AND THE VELUX LOGO ARE REGISTERED TRADEMARKS USED UNDER LICENCE BY THE VELUX GROUP



